

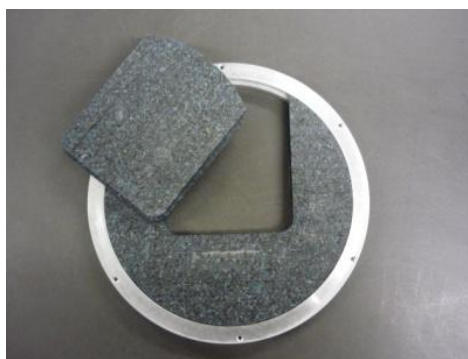
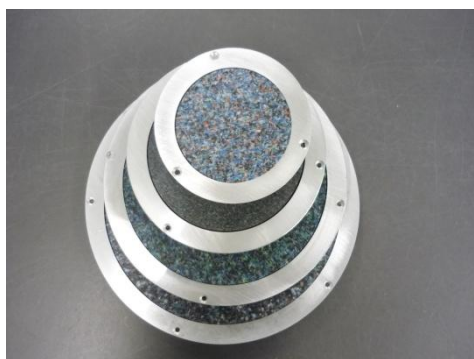
Floors with Top Surfaces (Linoleum, PVC)

- Covered frames for sports flooring
- **Round and rectangular designs**

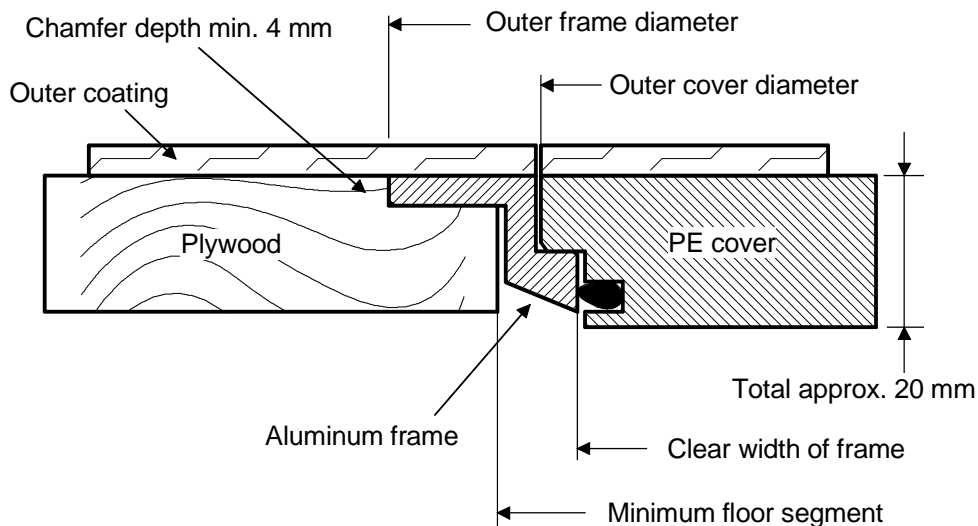
TERRA 'Eco'

Light aluminium frame and PE/PP tile with roughened top surface. Held in the frame by a seal around the tile. **Not waterproof.**

Available in clear widths of 90, 130, 180, 220, 285 and 335mm. For 285 and 335 mm optional with insertion.



Size Clear width [mm]	Outer frame diameter [mm]	Outer tile diameter [mm]	Minimum floor segment [mm]
90	135	100	110
130	180	140	151
180	230	190	201
220	270	230	241
285	335	293	307
335	385	343	357



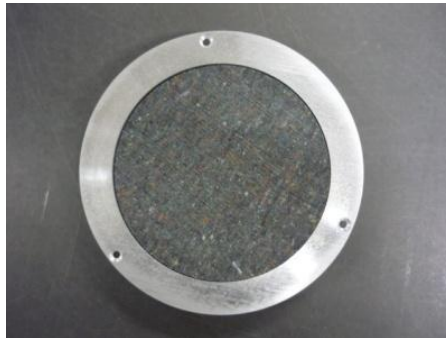
Floors with Top Surfaces (Linoleum, PVC)

- Covered frames for sports flooring
- **Round and rectangular designs**

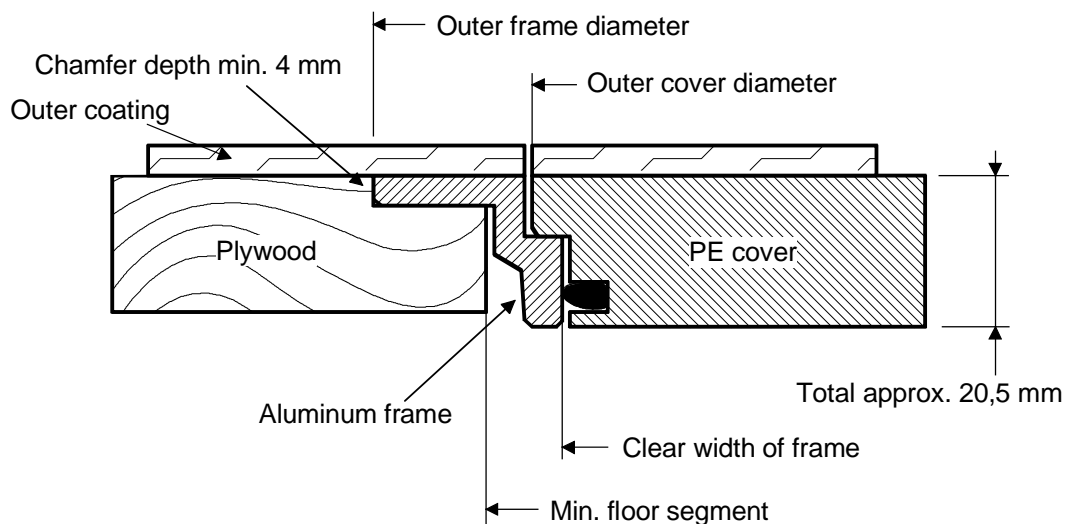
TERRA 'Standard' - Round

Aluminium frame and PE/PP tile with roughened top surface. Held in the frame by a seal around the tile - in rectangular designs, the seal is on the frame. **Not waterproof.**

Available in round clear widths from 90 to 220 mm.



Size Clear width [mm]	Outer frame diameter [mm]	Outer tile diameter [mm]	Minimum floor segment [mm]
90	135	98	108
120	170	128	138
170	220	178	190
220	270	228	242



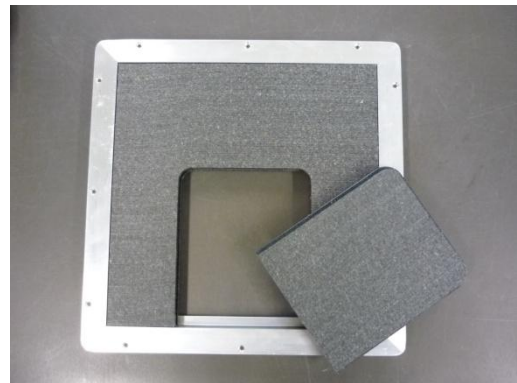
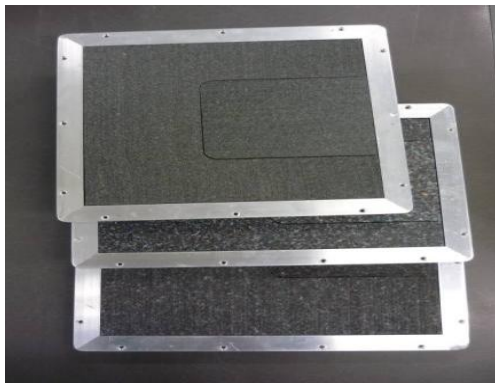
Floors with Top Surfaces (Linoleum, PVC)

- Covered frames for sports flooring
- **Round and rectangular designs**

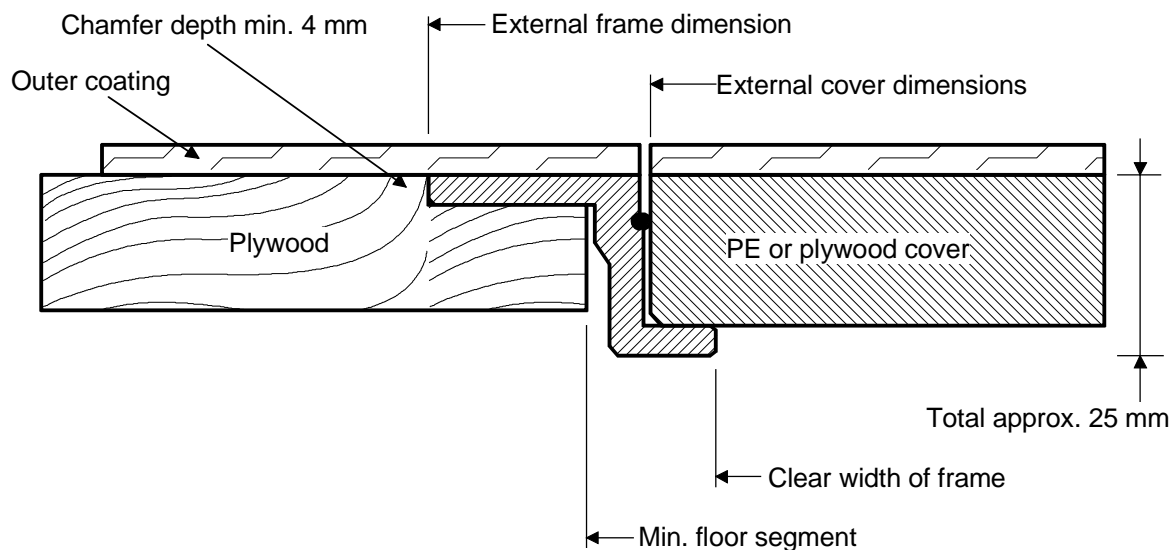
TERRA 'Standard' - Rectangular

Aluminium (A 20) frame and 20mm PE/PP tile with roughened top surface. Held in the frame by a seal around the frame. Available with a stronger aluminium frame (A 30) and 30mm plywood tile for coverings requiring greater stability due to their size. **Not waterproof.**

Available in clear widths of 340x220, 285x285 and 340x340, with insert up to 500x500mm. All other dimensions and coverings for pole vault plant boxes are available on request.



Size Clear width [mm]	External frame dimensions [mm]	External tile dimensions [mm]	Minimum floor segment [mm]
285 x 285	363 x 363	304 x 304	323 x 323
340 x 220	298 x 418	238 x 360	260 x 380
340 x 340	418 x 418	360 x 360	380 x 380

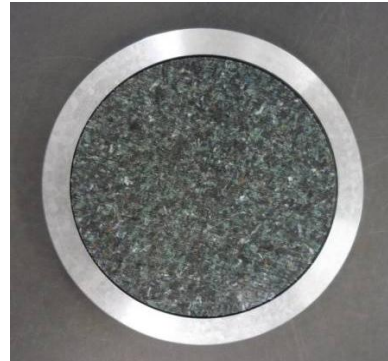
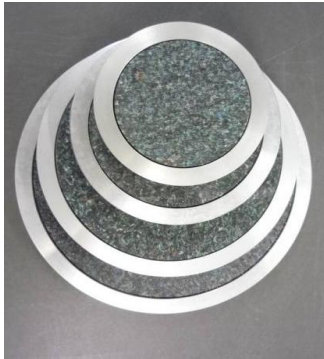


Floors with Top Surfaces (Linoleum, PVC)

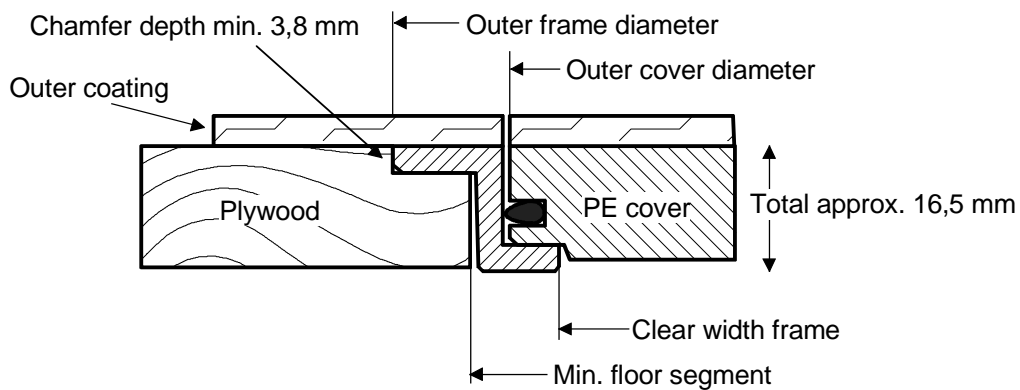
- Covered frames for sports flooring
- **Round and rectangular designs**

TERRA "Standard – Flach" (flat)

Lighter Z-profile aluminium frame and PE/PP tile with a seal around the tile and a lower total height of 16.5mm.
 Available in clear widths of 90, 130, 180 and 220mm. **Waterproof.**



Size Clear width [mm]	External frame dimensions [mm]	External tile dimensions [mm]	Minimum floor segment [mm]
90	135	98	108
130	170	138	148
180	220	188	200
220	260	230	239



Floors with Top Surfaces (Linoleum, PVC)

- Covered frames for sports flooring
- **Round and rectangular designs**

TERRA 'LT'

Aluminium frame with narrow edge designed to be left visible when installed, combined with an aluminium lid.

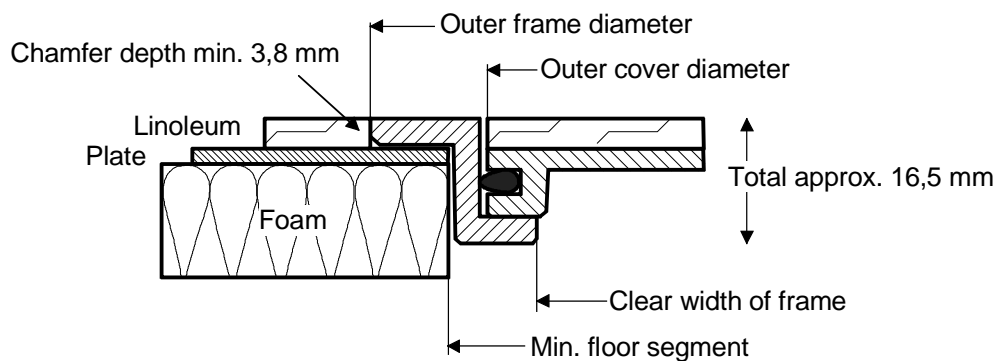
Variations:

- LT: Blank frame with lower lid surface, to be covered with 4mm Gerflor/DLW and 3,2 FORBO linoleum or 2 mm PVC
- LT- Pb: Colourful frame in green, red and blue (only remaining stock available)
- LT- F: Alu frame and lid surface flush



Size Clear width [mm]	Outer frame diameter [mm]	Outer tile diameter [mm]	Minimum floor segment [mm]
90 90	135	109	112
130 126	170	139	148
180 176	220	189	198
220 216	260	229	240

Schematic diagram here for system "Linotop" of *Armstrong DLW*



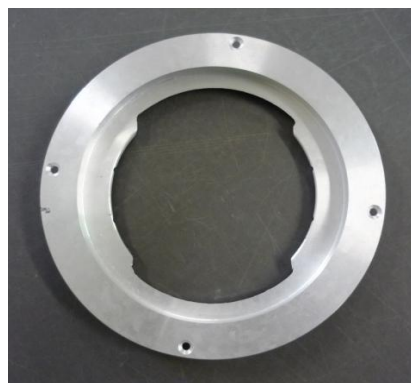
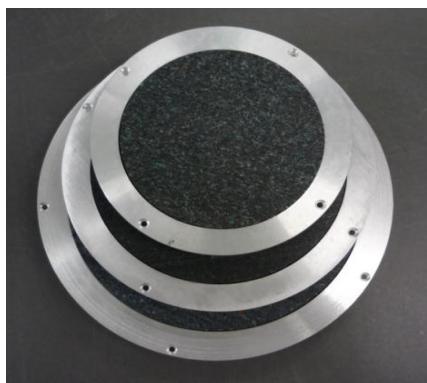
Floors with Top Surfaces (Linoleum, PVC)

- Covered frames for sports flooring
- **Round and rectangular designs**

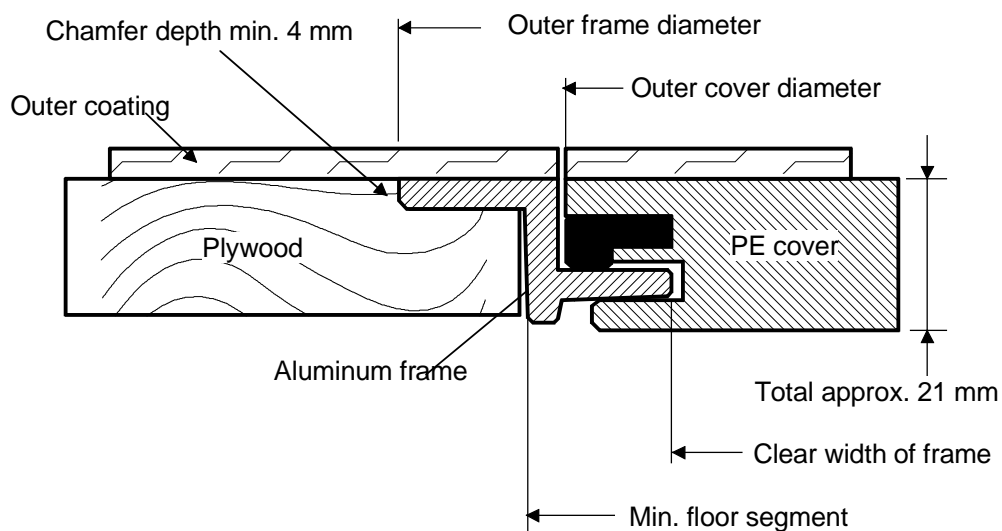
TERRA 'Secure- S'

Aluminium frame and PE/PP tile with an all-round seal and bayonet twist lock. **Waterproof.**

Available in clear widths of 110, 160 and 200mm.



Size Clear width [mm]	Outer frame diameter [mm]	Outer tile diameter [mm]	Minimum floor segment [mm]
110	190.0	147.0	158.0
160	236.0	191.0	203.0
200	279.0	229.5	243.0



Floors with Top Surfaces (Linoleum, PVC)

- Covered frames for sports flooring
- **Round and rectangular designs**

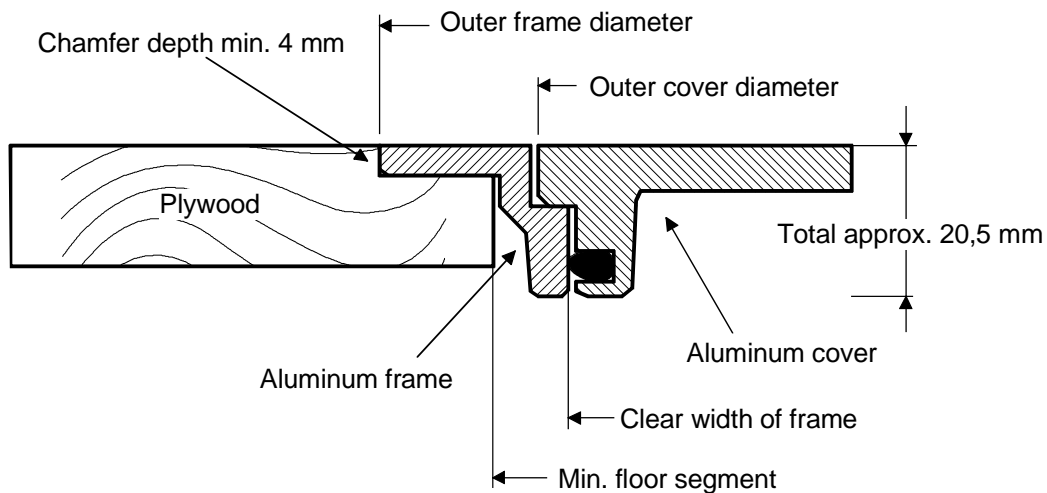
TERRA 'Standard- R'

Aluminium frame and tile. Held in the frame by a seal around the tile. The frame and tile can be sandblasted on request.

Available in clear widths of 90 to 220mm.



Size Clear width [mm]	Outer frame diameter [mm]	Outer tile diameter [mm]	Minimum floor segment [mm]
90	135	98	108
120	170	128	138
130	180	138	148
170	220	178	190
180	230	188	200
220	270	228	242

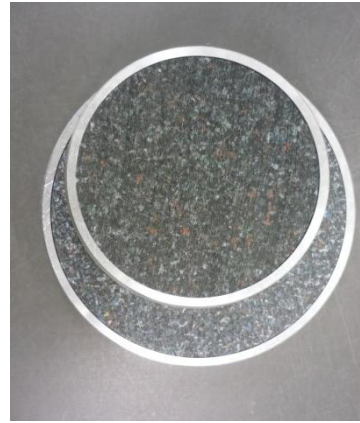


Floors with Top Surfaces (Linoleum, PVC)

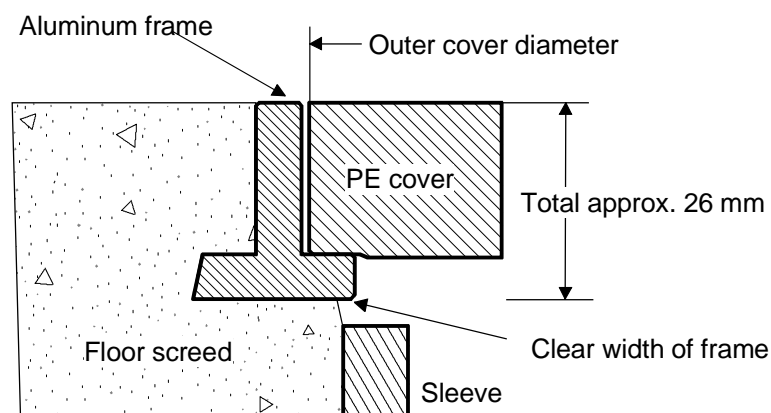
- Covered frames for sports flooring
- **Round and rectangular designs**

TERRA 'ES'

Highly stable aluminium frame with PE tile to be installed in the floor screed. Currently available in 130 and 180mm sizes.



Size Clear width [mm]	Outer frame diameter [mm]	Outer tile diameter [mm]
130	182	156
180	232	206



Hardwood Flooring

- Covered frames for sports flooring
- **Round and rectangular designs**

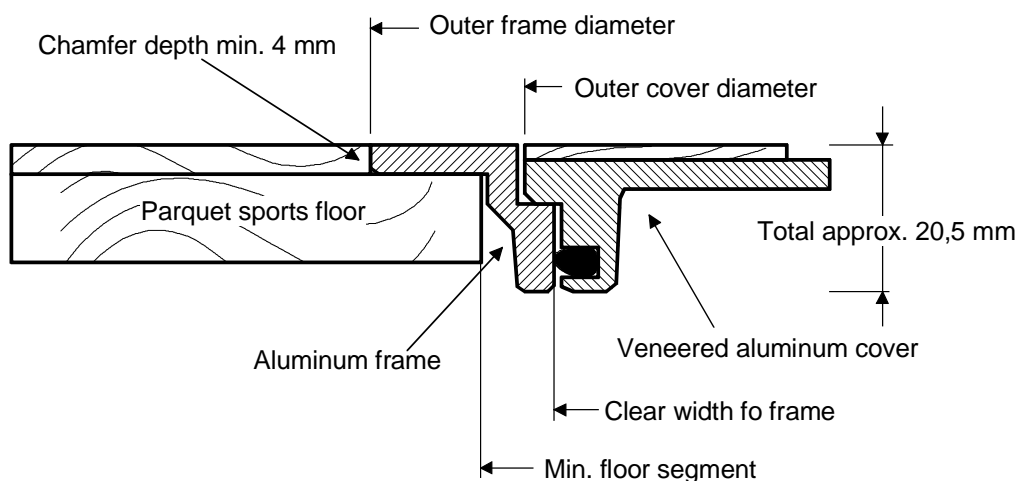
TERRA 'Line' - Round

Aluminium frame designed to be left visible once installed. The aluminium tile is inlaid with real wood veneer. Held in the frame by a seal around the tile. **Not waterproof.**

Available in clear widths of 90 to 335mm and from 285mm with optional insert.



Size Clear width [mm]	Outer frame diameter [mm]	Outer tile diameter [mm]	Minimum floor segment [mm]
90	135	98	108
120	170	128	138
130	180	138	148
170	220	178	190
180	230	188	200
220	270	228	242
285	340	297,5 on top	311
335	387	344 on top	358



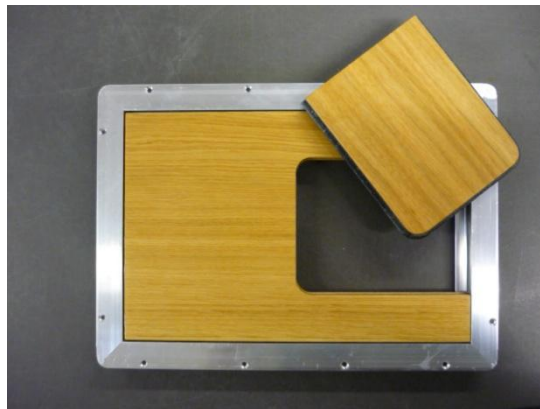
Hardwood Flooring

- Covered frames for sports flooring
- **Round and rectangular designs**

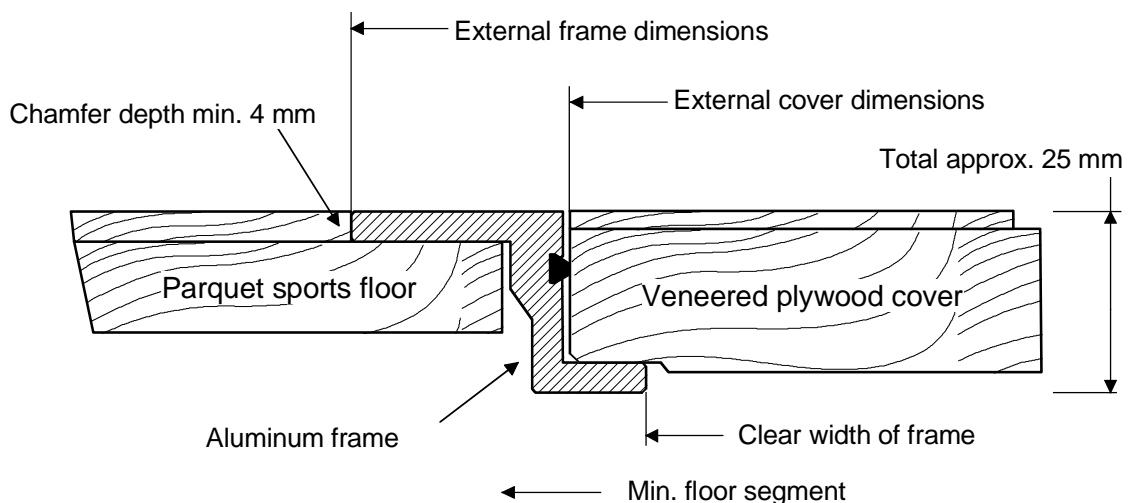
TERRA 'Line' - Rectangular

Aluminium (A 20) frame designed to be left visible once installed, tile from plywood veneered on both sides. Held in the frame by a seal all around the frame. Available for coverings requiring greater stability due to their size with a stronger aluminium frame (A 30) and prefabricated parquet tile. **Not waterproof.**

Available in clear widths of 340x220, 285x285 and 340x340mm, and with insert up to 500x500mm. All other dimensions and coverings for pole vault plant boxes are available on request.



Size Clear width [mm]	External frame dimensions [mm]	External tile dimensions [mm]	Minimum floor segment [mm]
285 x 285	363 x 363	304 x 304	323 x 323
340 x 220	298 x 418	238 x 360	260 x 380
340 x 340	418 x 418	360 x 360	380 x 380



Hardwood Flooring

- Covered frames for sports flooring
- **Round and rectangular designs**

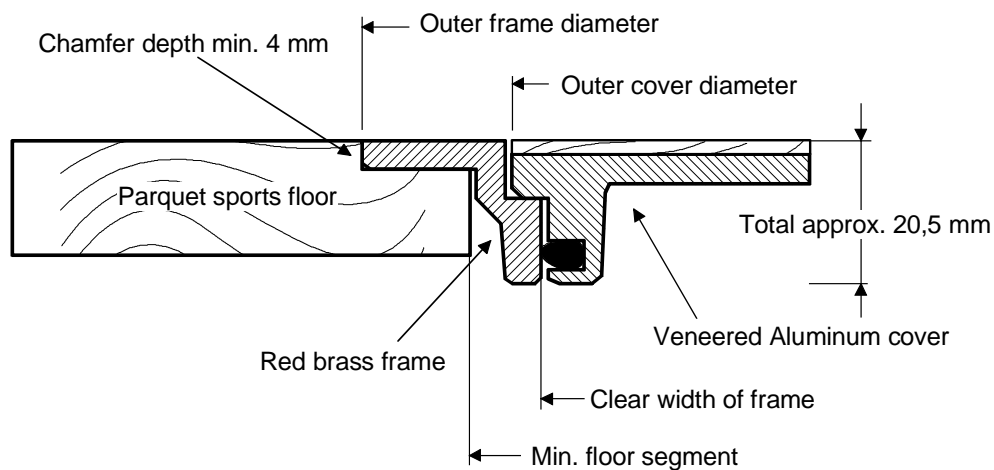
TERRA 'Classic' - Round

Red brass frame to be left visible and aluminium tile veneered with real wood. Held in the frame by a seal around the tile. **Not waterproof.**

Available in clear widths of 90 to 335mm and from 285mm with optional insert.



Size Clear width [mm]	Outer frame diameter [mm]	Outer tile diameter [mm]	Minimum floor segment [mm]
90	135	98	108
130	180	138	148
180	230	188	200
220	270	228	242
285	340	297,5 on top	311
335	387	344 on top	358



Hardwood Flooring

- Covered frames for sports flooring
- **Round and rectangular designs**

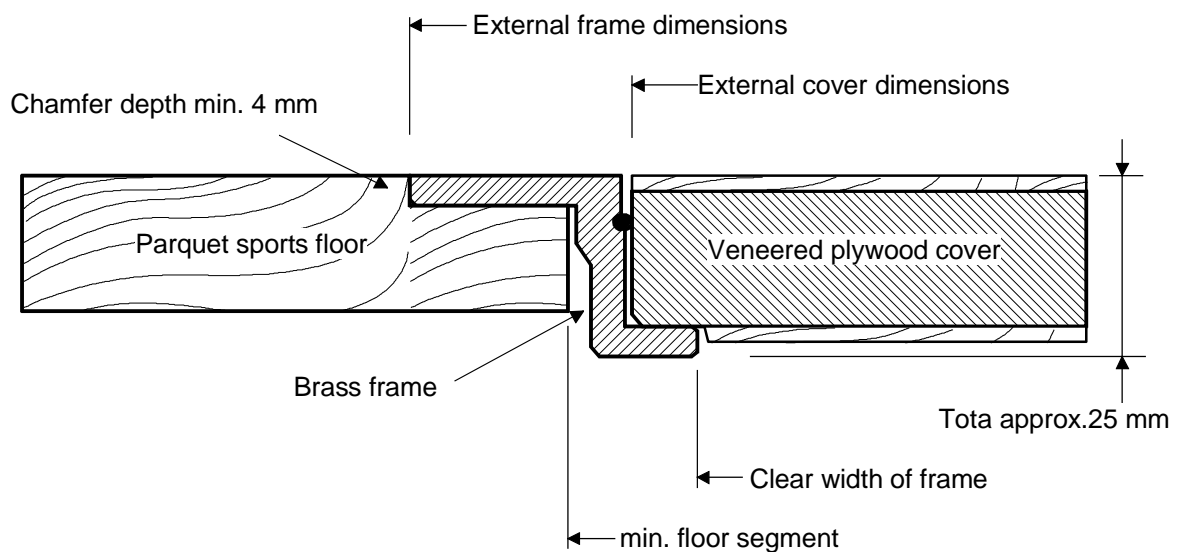
TERRA 'Classic' - Rectangular

Brass frame (M 20) to be left visible and plywood tile veneered on both sides. Held in the frame by a seal around the frame. Available with a stronger brass frame (M 30) and prefabricated parquet tile for coverings requiring greater stability due to their size. **Not waterproof.**

Available in clear widths of 340x220, 285x285 and 340x340mm and up to 500x500mm with insert. All other dimensions and coverings for pole vault plant boxes are available on request.



Size Clear width [mm]	External frame dimensions [mm]	External tile dimensions [mm]	Minimum floor segment [mm]
285 x 285	363 x 363	304 x 304	323 x 323
340 x 220	298 x 418	238 x 360	260 x 380
340 x 340	418 x 418	360 x 360	380 x 380



Hardwood Flooring

- Covered frames for sports flooring
- **Round and rectangular designs**

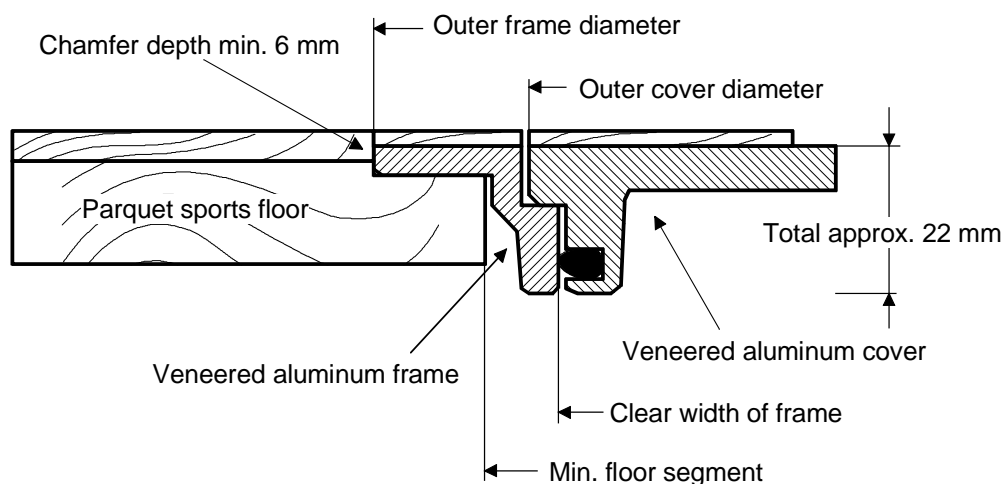
TERRA „Exclusiv“- Round

Aluminium frame and cover, both veneered with real wood. Varnished and ready to install. Held in the frame by a seal around the tile. **Not waterproof.**

Available in clear widths of 90 to 335mm, and from 285mm with optional insert.



Size Clear width [mm]	Outer frame diameter [mm]	Outer tile diameter [mm]	Minimum floor segment [mm]
90	135	98	108
120	170	128	138
130	180	138	148
170	220	178	190
180	230	188	200
220	270	228	242
285	340	297,5 on top	311
335	387	344 on top	358



Hardwood Flooring

- Covered frames for sports flooring
- **Round and rectangular designs**

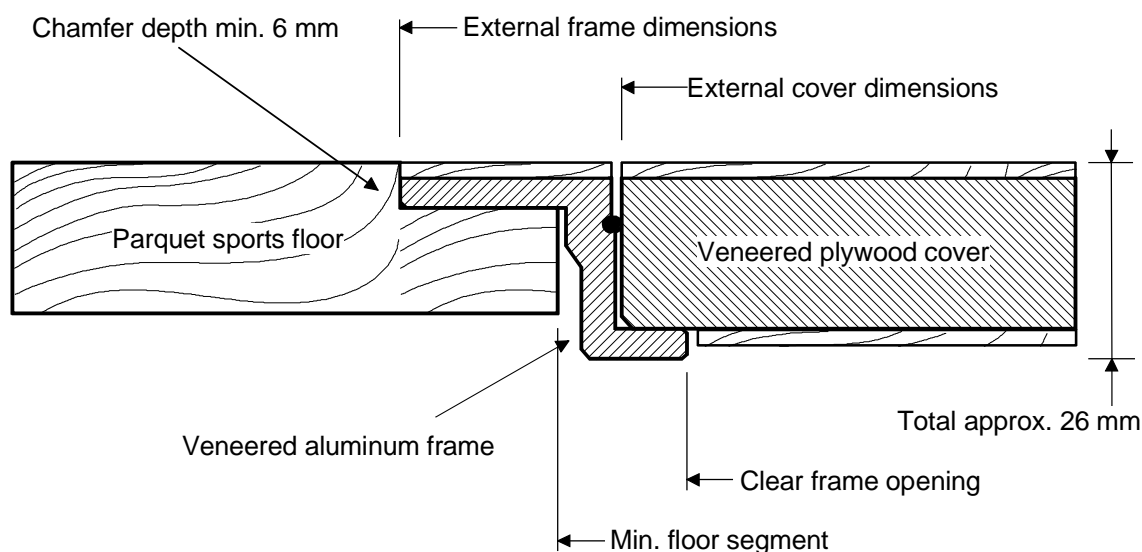
TERRA 'Exclusive' - Rectangular

Aluminium (A 20) frame and plywood tile. Both parts are veneered. Held in the frame by an all-round seal on the frame. Available with a stronger aluminium frame (A 30) and 30mm plywood tile for coverings requiring greater stability due to their size. **Not waterproof.**

Available in clear widths of 340x220, 285x285 and 340x340mm, and up to 500x500mm with insert. All other dimensions and coverings for pole vault plant boxes are available on request.



Size Clear width [mm]	External frame dimensions [mm]	External tile dimensions [mm]	Minimum floor segment [mm]
285 x 285	363 x 363	304 x 304	323 x 323
340 x 220	298 x 418	238 x 360	260 x 380
340 x 340	418 x 418	360 x 360	380 x 380



Hardwood Flooring

- Covered frames for sports flooring
- **Round and rectangular designs**

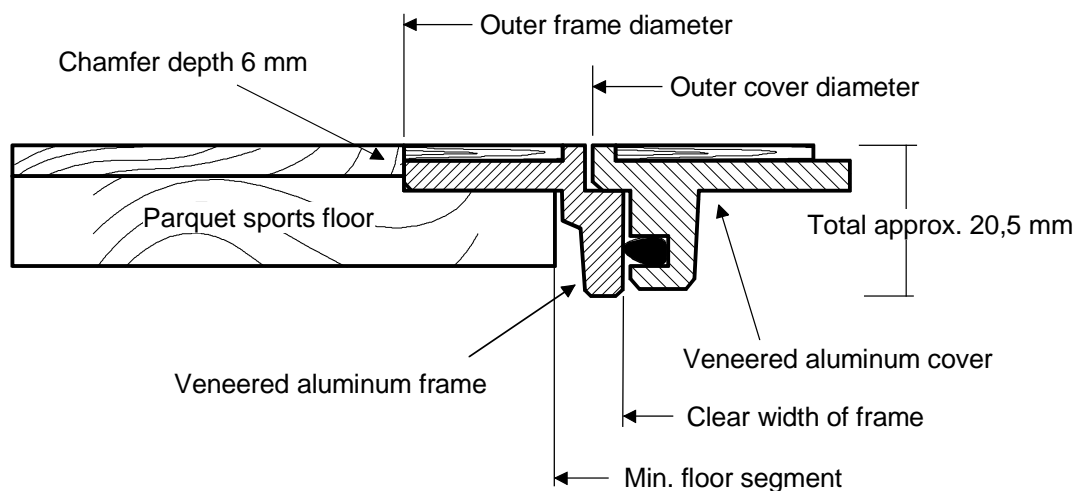
TERRA 'Deluxe/Boflex'

Aluminium frame and cover, both with an all-round visible **aluminium edge** to protect the edges. The frame and tile are veneered, varnished and ready to install. Held in the frame by a seal around the tile. **Waterproof.**

Available in clear widths of 120 and 170mm.



Size Clear width [mm]	Outer frame diameter [mm]	Outer tile diameter [mm]	Minimum floor segment [mm]
120	177.5	128.5	140
170	227.5	178.5	186



Hardwood Flooring

- Covered frames for sports flooring
- Round and rectangular designs

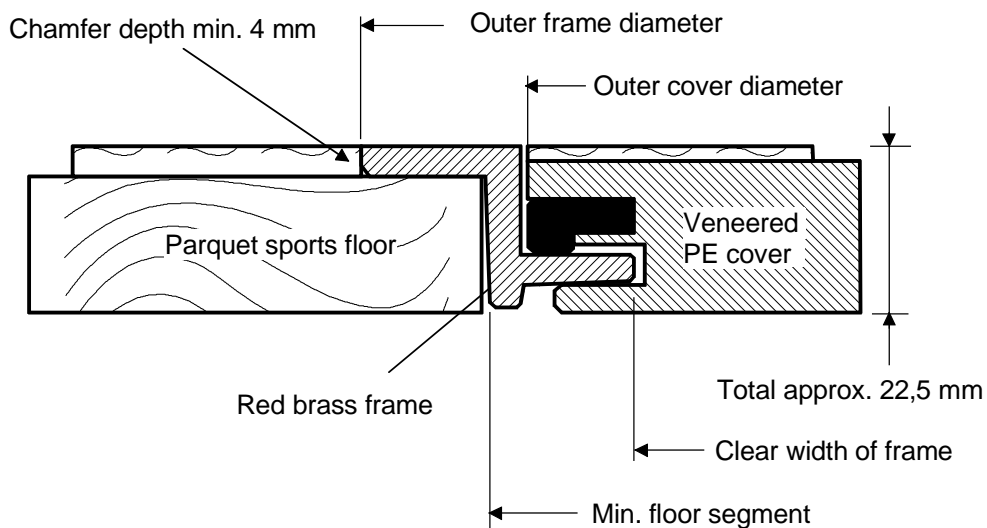
TERRA 'Secure- C'

Red brass frame to be left visible, veneered PE/PP cover, varnished and ready to install. Bayonet twist lock. Fully waterproof.

No longer available. Only spare lids in clear widths of 110, 160 and 200 mm possible.



Size Clear width [mm]	Outer frame diameter [mm]	Minimum floor segment [mm]	Outer tile diameter [mm]
110	190.0	158.0	147.0
160	236.0	203.0	191.0
200	279.0	243.0	229.5



Accessories

- Fasteners
- Tools

Mounting plates for wall bars and handball goals

- For goals with a diameter of 75mm and central M12 thread
- Round-hole plates with a diameter of 50mm with central holes of 10; 15; 16.5; 18 and 20mm. Other dimensions are also available on request.
- Slotted hole plates with a diameter of 50mm with 15x35mm slots
- Bolt plates with a diameter of 50mm with central 15x35mm bolts
- Threaded plates and boss plates with 16,5mm bores, also in 2mm total strength



M 12 star and ball handles, selectable thread length



Suction lifter for opening floor covers.

Double-eyed lifter with a diameter of 80mm with knobs for releasing negative pressure.



Various milling tools for milling the frames or chamfering protruding seal .
Supplied with reversible blades.

Milling templates with various diameters are available on request.

